

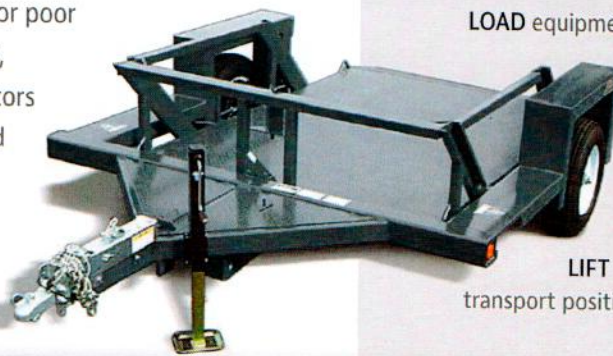
JLG® Triple-L® Trailers
FLATBED



**INCREASE PRODUCTIVITY
WITH EFFICIENT, SAFER LOADING**

Load equipment and supplies faster and safer with the TRIPLE-L® trailer from JLG®. Unlike ramp and tilt-bed systems, the TRIPLE-L trailer features the exclusive Power Deck system, a unique hydraulic mechanism used to lower the entire deck of the trailer to ground level. This eliminates the need to drive, pull, winch or push a payload up or down a loading ramp, which increases productivity and improves safety. The result is a more efficient solution for loading construction and industrial equipment, machines and supplies.

Even hard-to-load equipment becomes a one-person job with a TRIPLE-L flatbed trailer. These models are ideal for carrying equipment with low ground clearance or poor traction such as scissor lifts, industrial sweepers, landscaping equipment, pavers, rollers, compactors and more. With nine models to choose from and capacities up to 10,000 pounds—you'll always find the right solution with a TRIPLE-L trailer.



Power Deck

POWER DECK ADVANTAGE

- No driving or lifting payload up/down inclines.
- No cumbersome ramp adjustments.
- Efficient one-person operation.
- Can be loaded or unloaded while detached from a tow vehicle.
- Can accommodate multiple items.
- No winches required.
- Raises and lowers in 15 seconds.



Single lever hydraulic control

LOWER entire deck to ground level.



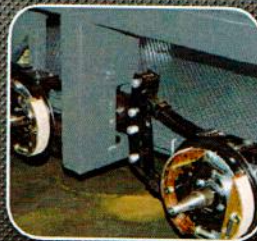
LOAD equipment



LIFT to transport position



Large Deck
Up to 72 inches wide to hold more payload.



Quadra Spring Suspension
For smoother transport.



Low Angle Ramp
For low clearance loading.



Shielded Tail Lights
Added protection with improved visibility.



Storage Compartments
Protects components and tools; lockable.